

# TopLine®

*A standard gypsum plasterboard with ivory face paper that displays a smooth surface.*



TopLine® has superior thermal insulation and non-combustible properties that are compliant with international standards.

Ceiling systems built with TopLine® opens a world of unlimited design possibilities allowing you to construct that beautiful architecture which encompasses pleasant acoustics, safety and reliability.



## CHARACTERISTICS

A standard gypsum plasterboard with an aerated gypsum core encased and firmly bonded to stronger paper liners.

## RECOMMENDED USE

Suitable to be used in dry areas ceiling applications.

## PRODUCT FORMAT

Thickness	9mm	
Nominal Weight	5.25kg/m <sup>2</sup>	
Nominal Sheet Size	1220mm x 2440mm	
Edge Type	Recessed Edge	Square Edge
		

## FIRE RATING

- Non-combustible in accordance to BS 476: Part 4
- Low fire propagation in accordance to BS 476: Part 6
- Class 1 surface spread of flame in accordance to BS 476: Part 7
- Classified as Class 0 material in accordance to BS 476: Part 6 & 7

## MANUFACTURING SPECIFICATIONS

- In compliance with ASTM C1396M and BS EN 520

## AESTHETIC PROPERTIES

- Highly flexible in creating the highest standards of design
- Crack-free
- Easily decorated with paint, cornices, etc.
- Seamless and smooth finishing

## HANDLING AND WORKABILITY

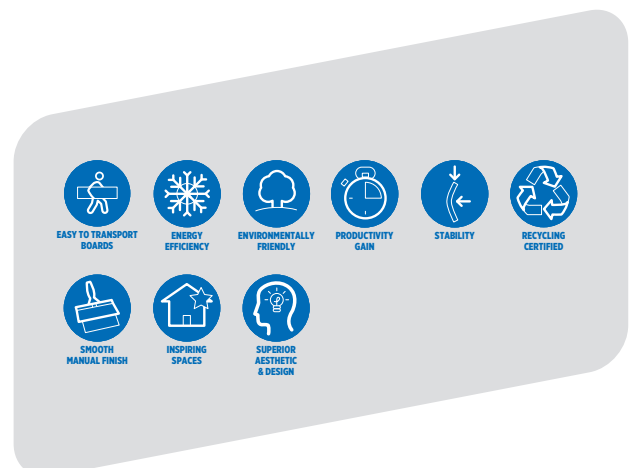
- Lightweight
- Quick and easy installation
- Applicable for curved ceiling installation down to a radius of 1.8m

## HEALTH AND ENVIRONMENTAL CONTRIBUTIONS

- Made from 100% natural gypsum
- Recyclable material, hence environmentally friendly and certified with Green Product Certification Scheme
- Does not produce toxic fumes or hazardous substances that are harmful to health
- Product is manufactured in a facility certified to standards of ISO 14001, ISO 45001

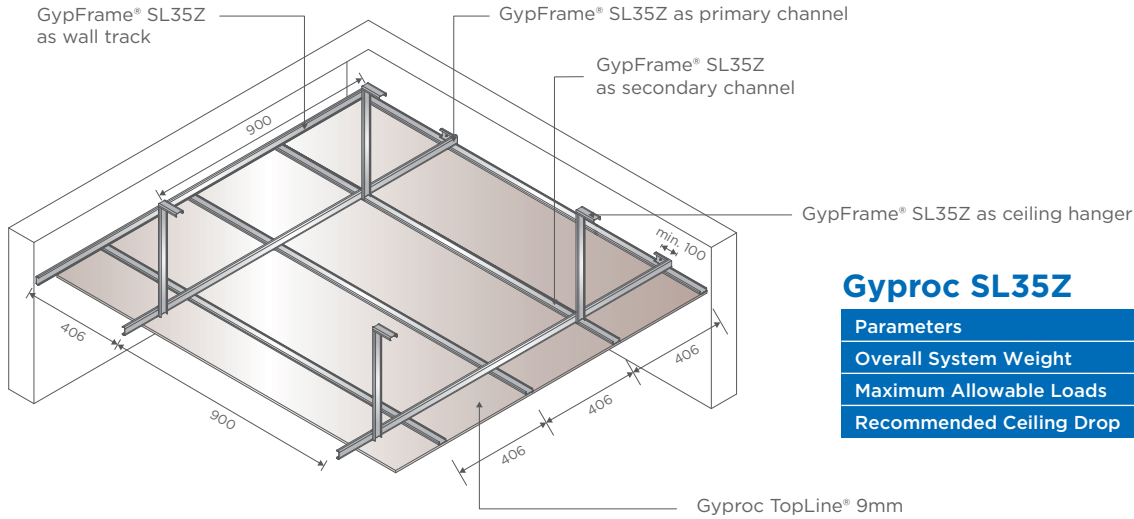
## QUALITY ASSURANCE

- Product is manufactured in a facility certified to ISO 9001



# Gyproc CLASSIC Concealed Ceiling System

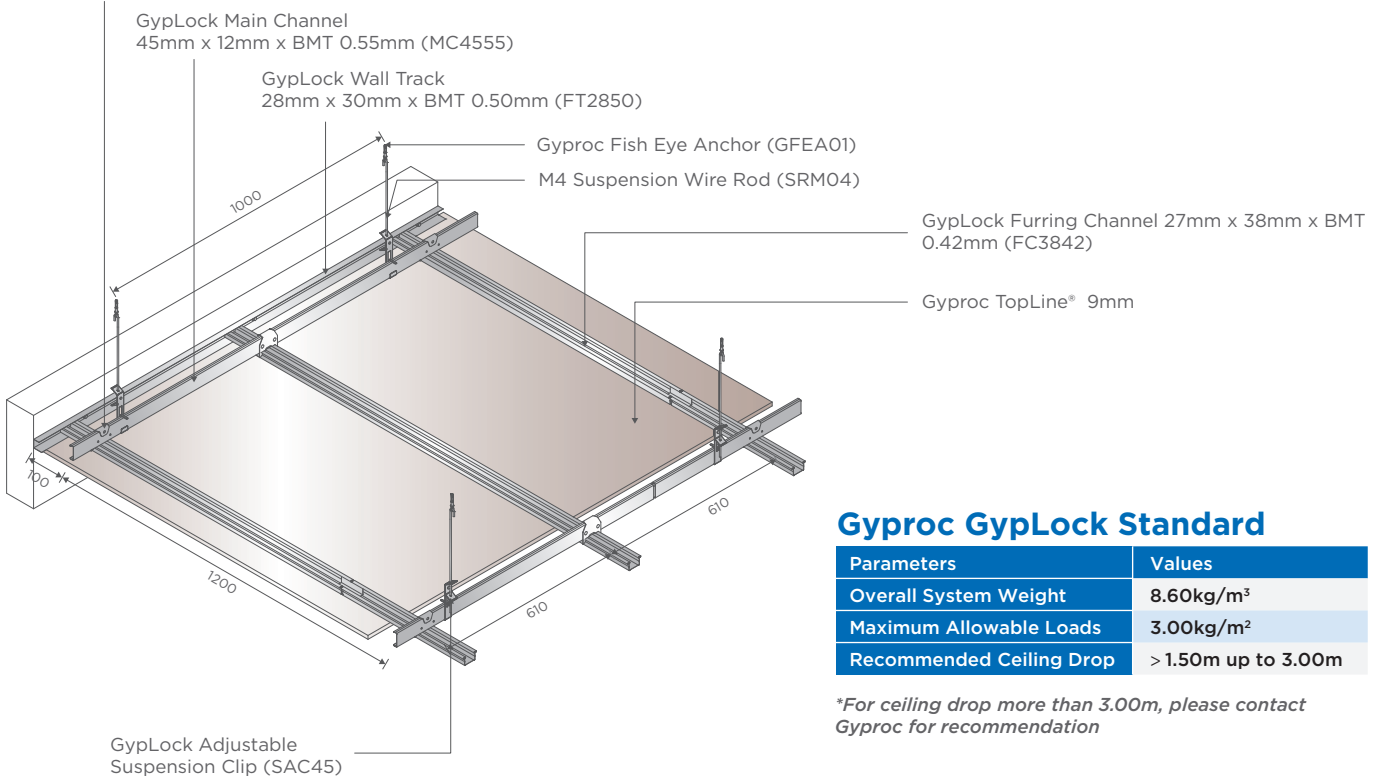
A concealed suspended ceiling system that gives a beautiful, homogeneous appearance, smooth finish without visible joints.



## Gyproc SL35Z

Parameters	Values
Overall System Weight	7.30kg/m <sup>3</sup>
Maximum Allowable Loads	3.00kg/m <sup>2</sup>
Recommended Ceiling Drop	≤ 1.50m

## Gyproc GypLock Standard



## Gyproc GypLock Standard

Parameters	Values
Overall System Weight	8.60kg/m <sup>3</sup>
Maximum Allowable Loads	3.00kg/m <sup>2</sup>
Recommended Ceiling Drop	> 1.50m up to 3.00m

\*For ceiling drop more than 3.00m, please contact Gyproc for recommendation

**Disclaimer:**  
The images provided are for reference only. Kindly obtain confirmation from Gyproc's Technical Support Personnel before submission of specification for any project. The information in this literature is accurate at the time of publishing. The publisher reserves all rights to revise the product specifications without prior notice. It is the user's responsibility to ensure that the information communicated here is current before use and that the information provided here is for guidance only. Users must ensure that they are fully conversant with the products and systems before specification or installation.



**SAINT-GOBAIN MALAYSIA SDN. BHD.** (636775-T)  
No 1 Jalan Sultan Mohamad 4,  
Kawasan Perindustrian Bandar Sultan Suleiman,  
42000 Port Klang, Selangor D E, Malaysia.  
☎ +603 3169 5588 📠 +603 3169 5688  
🌐 www.gyproc.my



**SAINT-GOBAIN (SINGAPORE) PTE. LTD.**  
2 Venture Drive,  
#13-18 Vision Exchange,  
Singapore 608526.  
☎ +65 6330 8288 📠 +65 6330 8289  
🌐 www.gyproc.sg

